

DURALOC[®] PVC SEWER PIPE

Data Sheet

The following information designates the general manufacturing standards and requirements for NEXT Polymers DURALOC unplasticized polyvinyl plastic PSM sewer pipe as manufactured to the requirements of CSA B 182.1, CSA B 182.2, NQ 3624-130, NQ 3624-135 and ASTM D 3034.

Short form specification

DURALOC SDR 35 and SDR 28 sewer pipes shall be manufactured from PVC compound having cell classification 12454-B or 12364-C as defined by ASTM D 1784. Pipe shall be certified in compliance with: CSA B 182.1 for sizes 100-150 mm (4-6 in) and to CSA B 182.2 for sizes 100 mm (4 in) and over.

The minimum pipe stiffness shall be 320 kPa (46 psi) for SDR 35 and 625 kPa (90 psi) for SDR 28 sewer pipe when measured in accordance with ASTM D 2412. Impact resistance shall be measured in accordance with CSA B 182.1, CSA B 182.2, NQ 3624-130 and NQ 3624-135 at 0°C (32°F).

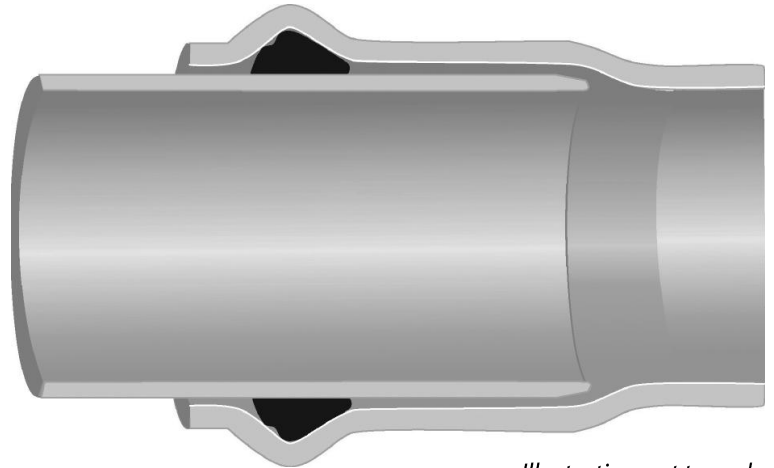


Illustration not to scale

Gaskets shall conform to CSA B 182.1, CSA B 182.2, NQ 3624-130, NQ 3624-135 and ASTM F 477 requirements and shall be locked into the bell during the manufacturing process. Joints shall be tested hydrostatically in accordance with ASTM D 3212 for compliance with CSA B 182.1 and CSA B 182.2. Additionally, joints shall be tested to withstand 345 kPa (50 psi) of hydrostatic pressure to meet plumbing and building code requirements in most jurisdictions. Only NEXT lubricant shall be used when assembling DURALOC pipe. Pipe shall be available in 4 m (13 ft) lay lengths unless special ordered.

Installation

DURALOC pipe shall be installed in strict accordance with the NEXT Polymers Municipal PVC Pipe Installation Guide. Experienced service and technical support is available at NEXT Polymers office. If you have any questions concerning installation, a sales representative will be glad to assist you.

Standards and certifications

- CSA International - CSA B 182.1 and B 182.2
- ASTM International - ASTM D 3034, D 1784, D 2412, D 2444, D 3212 and F 477
- Bureau de Normalisation du Québec - NQ 3624-130 and NQ 3624-135

PRODUCT RANGE

Lateral Sewer Pipe (SDR 28) - White, Green and Black

Size		D		d		d1		t(min)		Weight	
mm	in	mm	in	mm	in	mm	in	mm	in	kg/m	lb/ft
100	4	107.1	4.21	99.3	3.91	130.3	5.13	3.81	0.150	1.85	1.24
135	5	143.3	5.64	133.1	5.24	168.9	6.65	5.10	0.201	3.29	2.21
150	6	159.4	6.27	147.8	5.82	188.1	7.41	5.69	0.224	4.06	2.73

Gravity Sewer Pipe (SDR 35) - Green and White

Size		D		d		d1		t(min)		Weight	
mm	in	mm	in	mm	in	mm	in	mm	in	kg/m	lb/ft
100	4	107.1	4.21	100.9	3.97	128.8	5.07	3.06	0.120	1.58	1.06
135	5	143.3	5.64	134.6	5.30	173.1	6.80	4.09	0.161	2.91	1.96
150	6	159.4	6.27	150.3	5.92	185.8	7.32	4.55	0.180	3.35	2.25
200	8	213.4	8.40	201.2	7.92	244.8	9.64	6.10	0.240	5.89	3.95
250	10	266.7	10.50	251.5	9.90	304.8	12.00	7.62	0.300	9.19	6.18
300	12	317.5	12.50	299.4	11.79	360.3	14.18	9.07	0.357	13.10	8.80
375	15	388.6	15.30	366.4	14.43	439.2	17.29	11.10	0.437	19.56	13.12
450	18	475.0	18.70	447.8	17.63	525.2	20.68	13.60	0.535	29.40	19.76

All dimensions and weights are approximate



Illustration not to scale



The information contained herein is believed to be reliable, but no representations, guarantees or warranties of any kind are made as to its accuracy, suitability for particular applications or the results to be obtained there from. Before using, the user will determine suitability of the information for user's intended use and shall assume all risk and liability in connection therewith. To the extent permitted by law, NEXT Polymers EXPRESSLY DISCLAIMS ALL IMPLIED WARRANTIES, INCLUDING BUT NOT LIMITED TO, ANY IMPLIED WARRANTIES OF MERCHANTABILITY OR OF FITNESS FOR A PARTICULAR PURPOSE.

© NEXT Polymers Printed in Canada
2012 (Rev. 1) E